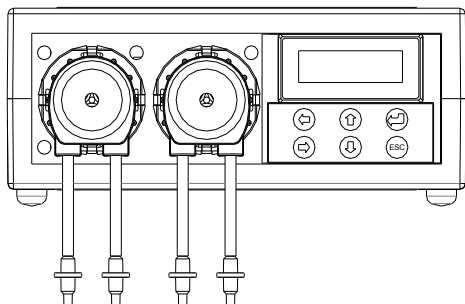


Jecod®

Dosing Pump DP-2

User's manual

Jecod DP-2 dosing pump is an automatic dosing pump designed to enable the addition of liquids to an aquarium at user defined times and volumes. Before operation , please read the manual fully.



Company: Jecod Co.Ltd

Address: TONGMAO INDUSTRIAL PARK, DONGSHENG TOWN,
ZHONGSHAN CITY, GUANGDONG PROVINCE

Tel.: +86-760-28136716/17/18

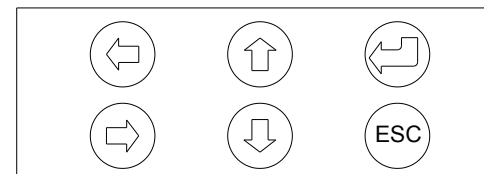
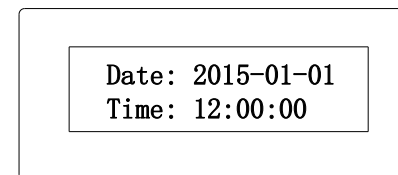
Fax: +86-760-28136725

E-Mail: info@jecod.com

Website: www.jecod.com

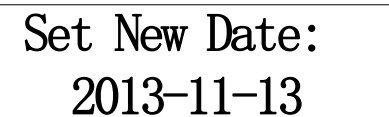


Control Panel Overview



- ↵ : Menu & confirm
- ESC: Return back
- ↑ : shift Up, plus
- ↓ : shift down, minus.
- ← : shift left
- : shift right

Date and Time Setting



Press “↵”,to enter Menu, select “Set Date & Time” by pressing “↑” “↓” button. Press “←” “→” to shift between date fields. Increase/decrease by pressing “↑” “↓” button.

Set New Time:
12:00:00

Press “←” to save the data and move to clock setting screen, press “←” “→” button to select the time digit. Press “↑” “↓” to increase/decrease digit. Press “←” to save and return back to Main page

Prime pump tube

Menu Mode:Pumps
1 2 3 4 5 6 7 8

From the main menu, press either “←” or “→” button to enter the manual mode. To select the required pump press either “←” or “→”. Press and hold “←” to run the pump and prime the tubing.

Before use, check each pump operation. Prime the tubing to ensure the tubing is filled with liquid. Make sure that no air bubbles are present in the tubing. Perform calibration. To achieve greatest precision, please keep the dosing pump horizontal.

Flow rate calibration

From main page, Press “↑” or “↓” button to enter Calibration mode. Select the desired pump by pressing “←” or “→” and then pressing “←”

Pn Correct Fluid
100ml = 200

Calibration Method: Make sure pump tubing is primed with liquid first. Using a measuring cylinder(100ml or larger), place the pump outlet tube into the measuring cylinder – make sure the inlet tube is in liquid. Press “↑” to start calibration. Once 100 mL has been dispensed, press “↑” again to stop the pump. Press “ ” to save the calibration value. Repeat for all other pumps. press “ESC” after calibration of all pumps to return to main menu.

Auto-Control setting

From main menu, press “←” to enter setting menu. Press “↑” “↓” button to select “Set Program”, press “←” to select the pump.

Select Pump:
1 2 3 4 5 6 7 8

Pump selection: press “←” “→” to select the pump. Press “←” to enter the number of doses per day setting.

Pn Times Dosing:
For: 1 (1~24)

Doses per day: Choose from 1-24 times per day. Press “↑” “↓” to increase or decrease the number of doses. Press “←” to enter the interval days setting.

Pn Interval Days:
For: 0 (0~30)

Interval days - this sets the number of days between dosing - it can be set in the range 0 -30. 0= dosing every day, 1 = dosing every other day etc.

Press “↑” “↓” to increase or decrease the number of days. Press “←” to enter dosing volume setting

Pn Dosing Volume:
Num: 1 — 0010ml

Dosing Volume: The volume to be dosed. Press “←” “→” to select the volume digit, press “↑” “↓” to increase or decrease (Max. setting is 9999ml). Press “←” to enter the first dosing time setting. Num “1” means 1st dosing period.

Pn Dosing Time:
Num:1 — 12:00

Dosing time set: Set the time the pump starts to dose. Press “←” “→” to choose the hour or minute. Press “↑” “↓” to increase or decrease. Press “←” to enter the next dosing period volume setting. Repeat until each dosing period is set. Repeat for each pump. When finished setting all pumps, press “ESC” to return to main menu.

Warning

- 1, For indoor use only. Avoid contact with moisture and humidity.
- 2, Do not use with corrosive liquids or liquids that can easily crystallise.
- 3, Before use, please prime the tubing with liquid via manual mode, and calibrate

the flow rate of each pump.

- 4, Do not disassemble the product.

Assembling drawing

