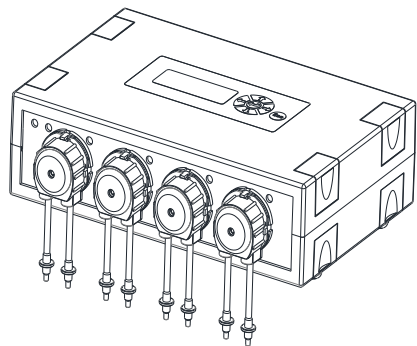


# Jecod<sup>®</sup>

## Dosing Pump User's manual

The Jecod DP-4 Dosing Pump is a 4 channel dosing pump and is ideal for dosing chemicals/supplements in an aquarium. **Before use, please read this manual for correct operation.**



**Company: Jecod Co.Ltd**

Address : TONGMAO INDUSTRIAL PARK, DONGSHENG TOWN,  
ZHONGSHAN CITY, GUANGDONG PROVINCE

Tel.: +86-760-28136716/17/18 Fax: +86-760-28136725

E-Mail: [info@jecod.com](mailto:info@jecod.com) Website: [www.jecod.com](http://www.jecod.com)



## Control Panel Overview



- ↵ : Menu & confirm
- ESC: Return back
- ↑: shift Up, plus
- ↓: shift down, minus.
- ←: shift left
- : shift right

## Date and Time Setting:

Set New Date:  
2013-11-13

Press ↵ to enter the menu.

Press the ↑ or ↓, to select Date/Time, and press ↵ again to edit the date.

Change the Date using the ↑↓arrows to adjust the value, and the ← → to switch from year to month then day.

Set New Time:  
12:00:00

Press ← again and repeat the above steps to edit the time.  
Press ← to save the Date and Time, then press Esc to exit to the main menu

### Priming Pumps:

Menu Mode:Pumps  
1 2 3 4 5 6 7 8

From the main menu, press either ← or → to access the pump's manual mode. Select the pump you want to turn on by pressing ← or →, then press and hold ← to run the pump until water runs through the tube and out of the pump on the other end. Make sure that no air bubbles are present in the tubing. Press Esc to exit the manual pump mode.

### Flow rate calibration:

Before programming, it is essential that you calibrate the DP-4 for each pump head you intend to utilise.

To do so, you will need a 100ml graduated cylinder and RO/DI or

### distilled water.

From the main menu, press either the ↑ or ↓ to enter calibration mode.

Ensure that the input tube of the pump that you wish to calibrate is immersed in water. Position the graduated measuring cylinder so to catch all water from the output tube of pump being calibrated. Select the pump you want to calibrate by pressing ← or → and then press ←

Pn Correct Fluid  
100ml = 200

Pressing ↑ will begin calibration. Once 100 mL has been dispensed, press the up arrow again to stop the pump. Press ← to save the calibration

Do this for every pump you intend to use, then press Esc to exit to the main menu.

### Programming the DP-4:

Press ← to enter the menu, then select "Set Program" using the ↑ or ↓ and press ←

Select Pump:  
1 2 3 4 5 6 7 8

Select the pump you would like to program using ← or →, and then press ←

Pn Times Dosing:  
For: 1 (1~24)

Using ↑ or ↓ select how many times per day you want the pump to dose. You can choose anywhere from 1 to 24 times per day.

Once set, press ↵ to move on to the day interval.

Pn Interval Days:  
For: 0 (0~30)

Interval days - this sets the number of days between dosing - it can be set in the range 0 -30. 0= dosing every day, 1 = dosing every other day etc.

Press ↵ again to move on to the dosing volume.

Pn Dosing Volume:  
Num: 1 — 0010ml

Press ← or → to select the volume digit, then press ↑ or ↓ to increase or decrease the digit. Maximum volume is 9999ml.

Press ↵ to set the time you would like the dosing pump to dispense.

Pn Dosing Time:  
Num: 1 — 12:00

Press ← or → to select the hours or minutes, then press ↑ or ↓ to increase or decrease.

Press ↵ to enter the next dosing volume setting. Repeat for each dosing interval.

When you have programmed every interval, press ↵ to exit to the

programming menu, then Esc to exit to the main screen.

## Warning:

Only for indoor use. Position to avoid moisture ingress and splashing. Water damage will void warranty.

Do not use with corrosive liquids or liquids that will easily crystallise.

Do not disassemble the product as this will invalidate the warranty.

## Assembling drawing:

