

# REEF-PRO AQUARIUMS

## Installation Instructions



# D-D Reef-Pro Systemised Aquarium

Please read the following installation instructions carefully before starting to assemble and run your aquarium. If correctly installed, your new aquarium should run silently and give you years of pleasure in this fantastic and enthralling hobby.

## Preparation prior to delivery

Your Reef-Pro Aquarium when filled will be heavy!

Before taking delivery of your new Reef-Pro Aquarium you must first establish a suitable position for the system and ensure that the floor on which you are installing it on is suitable for the weight of the tank, cabinet, water and substrates without deforming or collapsing. If you are uncertain about whether your floor will be strong enough, or requires support, please take professional advice.

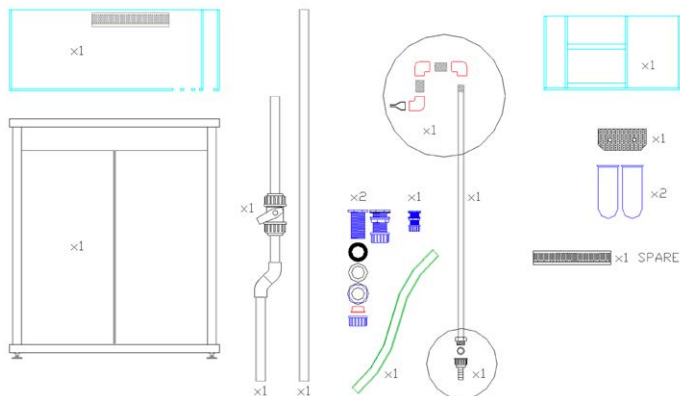
## STEP 1 CHECK CONTENTS, AQUARIUM AND CABINET FOR DAMAGE.

Your aquarium will arrive fully protected, and should be carefully unwrapped and checked for any damage. Use the contents diagram to ensure that there are no missing parts. Please report any issues immediately to your retailer.

## Approximate Weights

MODEL	CABINET	TANK	SUMP	WATER VOLUME/ WEIGHT	TOTAL	ADJUSTABLE FEET	PEOPLE REQUIRED
REEF-PRO 900	52 Kg	65 Kg	25 Kg	290 L / 297 Kg	462 Kg	4	2
REEF-PRO 1200	68 Kg	79 Kg	25 Kg	365 L / 374 Kg	572 Kg	6	2-4
REEF-PRO 1500S	98 Kg	133 Kg	30 Kg	500 L / 513 Kg	851 Kg	8	4

## Contents



## IMPORTANT: Aquarium care

The Reef-Pro aquarium cabinet is designed as a piece of furniture and is water resistant and not waterproof, requiring care and attention.

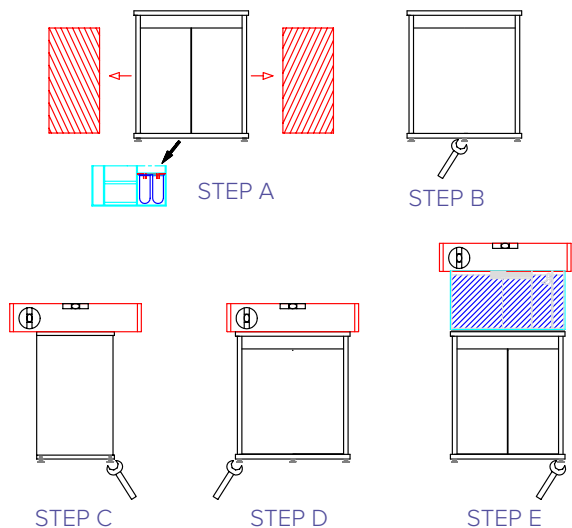
**It is important that any water spillage or standing water is dried immediately to prevent damage to the board or edging which would not be covered under warranty.**

Chemical products should not be used to clean the aquarium or cabinet as they can be toxic to aquatic life.

To avoid scratches when cleaning the glass do not use abrasive materials and take care when using bladed cleaners. Damage to silicone joints from cleaning blades will invalidate warranty.

## STEP 2 LEVELLING THE CABINET AND TANK

To ensure long term stability of your aquarium once it is filled, it is of paramount importance that the cabinet and tank are correctly levelled using the adjustable feet on the base of the cabinet. This ensures that there is no stress on the glass and that the doors will hang square.



**NOTE:** Once in position against a wall, the feet in the centre at the back of the cabinet will be hard to access and adjust and so it is important that the cabinet is adjusted around these feet first. The same applies to any feet that are inaccessible in a corner.

### Equipment Required

Spirit level (the longer the better), 12mm spanner, 17mm spanner.

### Preparation

Ensure that the area where the tank is to be installed is clear so that you have plenty of space for installation and adjustment. The cabinet should be initially levelled without the tank or sump installed and we recommend that you remove the quick release doors for better

access by pressing the lever at the back of each hinge. When the tank is delivered the feet will normally be screwed all the way into the cabinet. If this is not the case, screw the feet fully home to give the greatest range of adjustment.

Start by establishing if your floor is level by placing the cabinet roughly in position and checking the level using the spirit level on the top of the cabinet.

### Cabinet is lower at back

If the cabinet leans back towards the wall then it will be necessary to extend the rear feet first, especially the centre ones on the larger models as it will not be easy to adjust them later. Extend the rear centre foot/feet to be just higher than the outer rear feet so that the tank is level or leans slightly forward. Lock in position. Adjust the front centre foot/feet so that the cabinet is level in the middle front to back. You should be able to slightly rock the cabinet from side to side as the outer four feet should not have weight on them.

Now check the level along the length of the cabinet, you should be able to tip the cabinet so that it is level. If the outer feet touch the floor before it reaches the level then you need to go back a step and extend both front and back centre feet further.

Adjust the four corner feet so that the cabinet is level along the length at both the front and the back by extending the feet down. Check the front to back level at both ends and the middle then make any fine adjustments as necessary. Check the level in both planes on the base of the cabinet and that the centre legs are still touching the floor.

### Cabinet is lower at front

If the cabinet is lower at the front it will still be necessary to ensure that the **centre back** feet are touching the floor. Wind out the centre back feet by a few mm to be higher than the two outer back feet and adjust the front centre

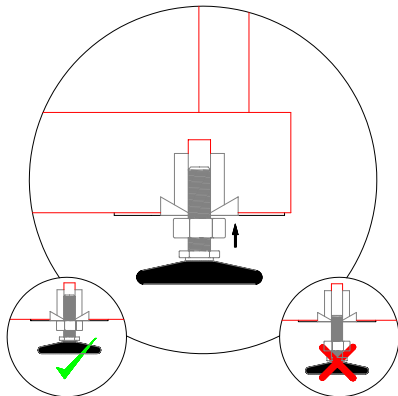
foot/feet so that the cabinet is level in the middle front to back. You should be able to slightly rock the cabinet from side to side as the outer 4 feet should not have weight on them.

Now check the level along the length of the cabinet, you should be able to tip the cabinet so that it is level. If the outer feet touch the floor before it reaches the level then you need to go back a step and extend both centre feet further.

Adjust the four corner feet so that the cabinet is level along the length at both the front and the back by extending the feet down. Check the front to back level at both ends and the middle then make any fine adjustments, as necessary. Check the level in both planes on the base of the cabinet and that the centre legs are still touching the floor.

### Cabinet is lower at one side

Start by ensuring that the feet on the high end are fully screwed up into the cabinet. Level the cabinet front to back on the outer feet on the high end then adjust the two centre feet so that the cabinet is level front to back and along the length. Finally screw down the feet on the low end of the cabinet to touch the floor. Check the level on the base of the cabinet and that the centre legs are still touching the floor.

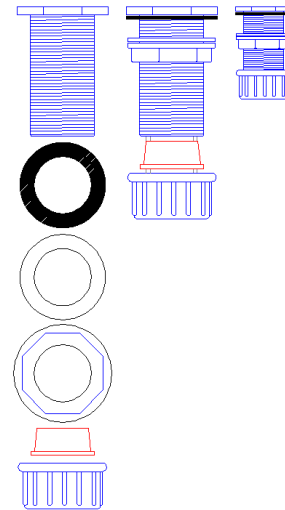


### Install the Tank and Sump

After installing the tank and sump, but before filling, check the level again by placing the spirit level along the edges of the tank and make any fine adjustments, as necessary. Fill the tank and sump and again check that the floor has not compressed or settled with the weight and adjust if necessary. Check again after 2-3 days and fine adjust if necessary. Ensure that the locking nuts on the feet are screwed up tight against the cabinet.

### STEP 3 INSTALLING THE PIPEWORK, FILTERS & OVERFLOW

The pipework and weir system has been specially designed for installation without any further cutting or specialist tools.



### Fitting the Tank Connectors

The tank connectors can be installed with the tank in position however it is much harder to tighten up the nuts on the bottom. It is for this reason we recommend that, with assistance, you slide the tank so that the weir box hangs over the end of the cabinet, giving you clear access for installation.

The tank connectors should be installed without the use of any silicone sealant or mastic.

Disassemble the tank connector and insert the main body, with the black rubber washer fitted, through the appropriate hole in the overflow box from the top. From below fit the white hard washer and the fastening nut and tighten so that it is firmly hand tight. It is not necessary to use a spanner to over tighten this nut however it must be firm enough so that it cannot come loose later.

If needed, it is often possible to tighten an extra 1/4 turn by tapping the nut round using a flat bladed screwdriver held in one hand on the edge of the nut whilst you tap the handle with the flat of the other hand.

Once all 3 tank connector bodies are firmly fitted, with assistance carefully lift the tank back into position on the cabinet.

## Installing the Pipework

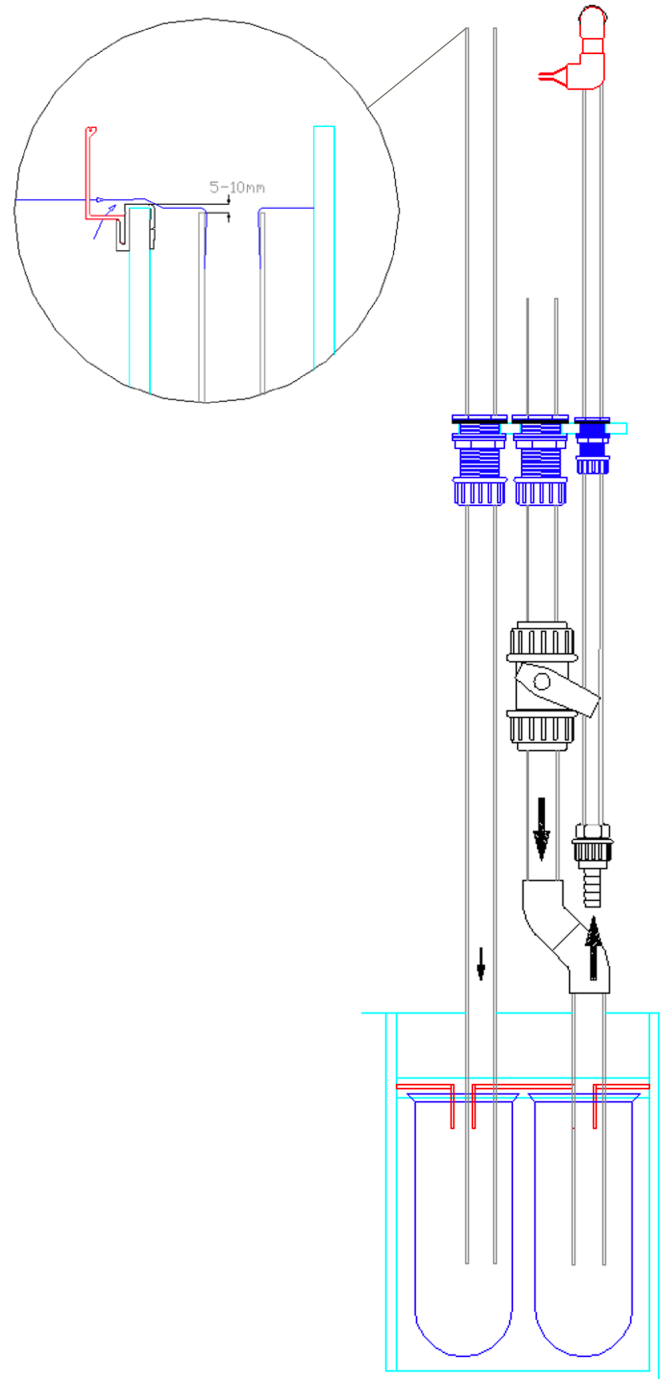
There are 3 pipes that need to be installed, one main syphon pipe fitted with a valve, one emergency overflow pipe and one return pipe from the pump.

**Pipe 1.** Starting from the right of the tank we will install the smaller return pipe first.

Hold the pipe with the glued hoesetail union downwards and slide the knurled nut with the cup pointing upwards onto the pipe.

Next put on the cream tapered seal with the thinner part pointing upwards. From inside the cabinet push the pipe up through the tank connector. Move to the top of the tank and screw the threaded end of the pipe into the 90 degree threaded fitting that is part of the pre-installed pipework in the overflow box. Slide the tapered seal and knurled nut up the pipe inside the cabinet to the tank connector and hand tighten.

The pre-assembled pipework that passes through the overflow wall is threaded and fully removable for



cleaning. The removable union on the return pipe allows the pump to be removed for cleaning.

**Pipe 2.** Take the second pipe, which is pre-fitted with an adjustable shut off valve. This should be fitted in the centre hole especially if you are planning to connect to a ClariSea filter, as the pipework is designed to be ClariSea ready.

Remove the lower dog-leg section by unscrewing the union on the valve. Take the knurled nut and tapered washer, fit this to the straight upper section of the pipe with the cup and thin part of the seal pointing upwards. Slide the pipe through the tank connector so that the valve is near the top of the cabinet and tighten enough to hold the pipe in place but do not fully tighten at this stage.

**Pipe 3.** Slide the straight pipe down through the tank connector from above. From below slide on the tapered washer and the knurled nut in the same orientation as for the other pipes. Position the pipe up so that the upper cut end is level with the glass of the weir section without the overflow comb fitted. Tighten up the knurled nut. This will provide the quietest running by reducing trickle as the water flows into the weir box.

## Installing the Filter Socks

If using the standard filter sock pre-filter option re-attach the lower dog-leg section of pipework to the valve so that the end of the pipe falls in the rear section behind the filter socks. Make sure that the 'o' ring is still in position in the valve union. Slide the pipe down so that the bottom of this pipe is level with the bottom of the emergency overflow pipe and then tighten the knurled nut on the tank connector.

The aquarium comes as standard with two 4 inch, 200 micron filter socks to remove any fine particles and will polish the water. Silencing is fitted to reduce any water noise through the filters. The silencer sits above the socks with the two pipes facing downwards into the

filters. As the filter socks block the water level will rise and when fully blocked will overflow the filter chamber.

The socks can simply be removed and washed through under the tap to clean them or can be replaced with new ones which are available from your retailer.

## Installing the optional ClariSea unit

If installing a Clarisea unit, remove the filter sock plate and hang the fully assembled ClariSea on the rear sump baffle in front of the pipework. The grey elbow at the back should be facing upwards and in line with the middle pipe coming down from the aquarium. It is best to position the brackets for the ClariSea in the lowest fixing holes so that the unit is sitting as high as possible. Insert the end of the dog-leg section of pipework carefully into the elbow on the ClariSea so that the union on the top of the pipe is in line with the valve. Slide the pipe down to meet the dog-leg section and re-attach the valve. Make sure that the 'o' ring is still in position in the valve then tighten the knurled nut on the tank connector. It is not necessary to glue this section of pipework in to the ClariSea.

Go back and check the nuts on all 3 sets of pipework are tightened up before filling the aquarium.

## Initial testing of the pipework

When you fill the tank for the first time you can test that the pipework and tank connectors do not leak by first closing the valve on the syphon pipe and then filling the overflow box only, rather than the main aquarium. Check underneath for any weeping and, if necessary, tighten up any loose connections. Working this way gives you the option to remove the complete tank if needed to correct any serious errors made during the pipework installation process.

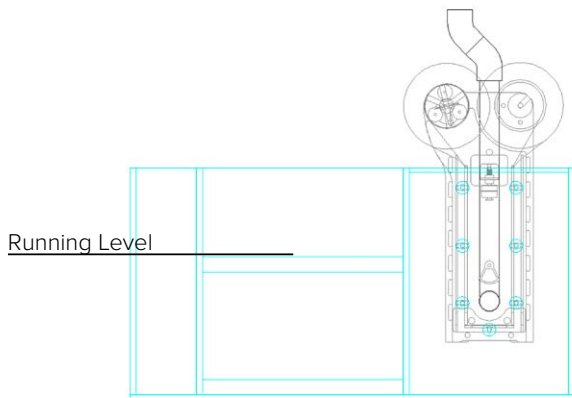
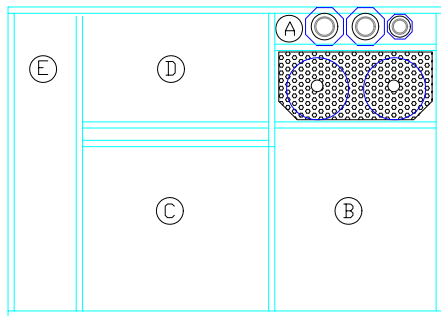
Assuming there are no leaks, fully open the syphon valve and continue to fill the aquarium.

## Sump Layout

The glass sump is designed to be flexible and have enough space to accommodate most types of equipment and methodologies.

**Note:** If installing an auto top-up unit, the float should be installed in section D

**A:** Pipe Section, **B:** Skimmer/Equipment Section, **C:** Equipment/ Refugeum Section, **D:** Pump Chamber, **E:** Top-up Reservoir



## Silent Running of your Aquarium

Now that you have everything installed and piped up, you can start to fill the tank and let it overflow into the sump, up to the running level. Switch on the return pump and observe as the water fills the tank and then overflows into the weir box. Ensure that you keep the

pump chamber filled up whilst this is happening. Initially the overflow will be noisy as the water gurgles down the syphon pipe.

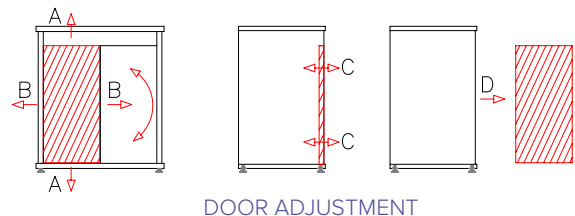
Gradually close the shut off valve on pipe 2 until the water level in the weir box starts to rise. Keep adjusting the valve in small steps until the water only just dribbles down the emergency pipe (pipe 3). This may take some fine tuning to achieve but will allow the overflow to run almost silently. It may be necessary to adjust this from time to time as the pipes and comb start to get dirty.

You will notice that there is an anti syphon hole in the feed pipe where it enters the tank and that you may get an initial water splutter from this on first starting. This is normal and will go away when the water level in the aquarium gets higher than the hole. It is important that this hole is kept clean and clear to prevent syphoning in the case of a power outage.

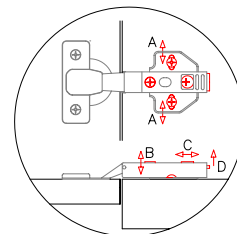
## Levelling of the Doors

As a final step you should know that the cabinet doors are fully adjustable in 3 planes. Remove the cover plate and adjust as per the diagram.

The hinges are lacquer coated to reduce corrosion however they should be wiped down from time to time, especially if they start to collect salt creep or get wet.



DOOR ADJUSTMENT



To compliment and benefit your new aquarium we recommend the following equipment and products...



Prime 16HD

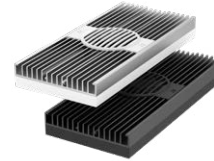
Prime Flex 18



Slimline Bracket  
Gen 2



Hydra 32HD



Hydra 64HD



Nero Wave Pumps



RowaPhos  
Phosphate Remover



D-D Compact  
ATO



Dual Heating and Cooling  
Controller



Titanium Heater



DC Series Chillers  
DC750



ClariSea  
Fleece Filter



Deltec AC Skimmer  
600i



FMR75  
Fluidised Reactor



H2Ocean Reef Salt



Jumpguard  
Aquarium Cover

RECOMMENDED EQUIPMENT	REEF-PRO 900	REEF-PRO 1200	REEF-PRO 1500S
Return Pump Volume	2000-3000 litres/hour	3000-4000 litres/hour	3000-4000 litres/hour
Protein Skimmer	Deltec 400i	Deltec 400i	Deltec 600i
Chiller	DC300	DC300/DC750	DC750
LIGHTING OPTIONS			
Fish Only/Soft Corals/LPS	2 x Prime 16HD	2/3 x Prime 16 HD	3 x Prime 16 HD
Mixed Reef/LPS/SPS	2 x Hydra 32HD	2 x Hydra 32HD	3 x Hydra 32HD
Heavily Stocked SPS	2 x Hydra 32HD	2 x Hydra 64HD	3 x Hydra 64HD



Why not join our Facebook group to get inspiration and advice for your **D-D Reef Pro Aquarium**.  
[www.fb.com/groups/ddreefpro](http://www.fb.com/groups/ddreefpro)



*FOLLOW US FOR INSPIRATION!*

[fb.com/theaquariumsolution](https://www.facebook.com/theaquariumsolution) [TheAquariumSoln](https://twitter.com/TheAquariumSoln)

[www.theaquariumsolution.com](http://www.theaquariumsolution.com)