



New T5 Razor light units.

Congratulations on choosing one of our latest T5 light units. The product offers the latest developments and most advanced features in high-powered fluorescent lighting and is as slim as we can possibly make it whilst still holding all of the electronic components.

The ballast on the unit is electronic and as such gives the highest energy saving per watt compared to conventional ballasts and can tolerate power surges between 220 and 240V. As the tubes do not flicker on start up the life of the tubes is prolonged.

The unit as standard is fitted with D-D Aquablue tubes but can be ordered with alternative tubes from our full range listed below.

Note: All of the tubes that are supplied by D-D use A1 grade phosphors to achieve a five-point spectrum to mimic natural light. Please study the various colour tubes that are available to ensure that you have the correct tubes for your particular needs.

Aquablue - Is our standard marine tube, which is a 60:40 white:blue blend of grade 'A' phosphors with a five point spectrum. These were specifically developed for growing SPS corals down to a depth of 800mm. Suitable for saltwater, reef and freshwater fish only aquariums.

Midday 6000 - is rated at 6000 Kelvin with a spectrum designed to recreate sunlight and is suitable for saltwater fish, reef and freshwater aquariums.

Actinic Plus - is rated at approximately 22000 Kelvin and as the name suggests it emits high levels of actinic light. This will make even the drabest corals stand out by producing high levels of fluorescence.

Aquafloa - This tube brings out the blue and red colours in your fish whilst maintaining maximum plant growth and is designed for planted freshwater aquariums. Blend with Mid day 6000.

Actinic pure - This is the latest of our 5 tubes and is designed to give the highest levels of fluorescence from your corals and fish.

Safety

Please ensure that during the installation of the light that the unit is not connected to the power supply.

The unit is designed for 220-240V A.C operation and is supplied with a factory fitted mains cord, in-line switch and plug.

The plug is wired in accordance with the following colour code.

Brown = Live (L)

Blue = Neutral (N)

Green and Yellow = Earth (E)

The plug is fitted with a 3A fuse, always replace with a fuse of the same rating.

Installation

The lamp unit can be mounted on most styles of hood or alternatively can be laid on the top of aquarium strengthening bars/glass covers.

The heat released from this type of unit is low however it is important that thought is still given to ventilation of a fully enclosed hood. We suggest that the light is fitted to the hood before installation of the tubes.

Assembly of the Light Unit.

1. Ensure that the unit is not plugged into the power supply.
2. Unscrew the white waterproof caps from each end of the lamp holder and slide them carefully onto the tube in the same orientation. Do not turn to fit.
3. Clip the tube into place at each end by sliding the two prongs in to position from the side until the tube sits centrally in the lamp holder.
4. Ensure that the black sealing rubber is still in place on the waterproof caps and screw them back on as they were originally fitted.
5. Assemble the clips onto the reflector having first peeled off the protective film from the polished surface. Fit the reflectors to the tube
6. Check the end caps and cable gland are fully hand tight to ensure that the fitting is water and splash resistant. The unit is not to be used under water in any circumstances.
7. Plug the unit into the mains and switch it on. If one lamp is not fitted properly, both tubes will fail to light. If this is the case then unplug the unit and rectify the problem.

Maintenance

The unit needs little maintenance other than periodic cleaning of the tubes and reflectors when cool with a soft cloth and fresh water. Replacement gull wing reflectors and tubes are available from your local supplier.

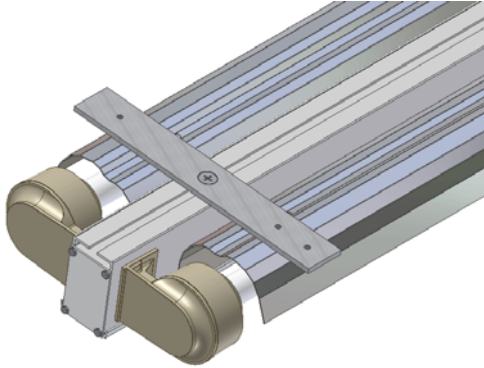
Warranty

The D-D unit carries a 1 year warranty from date of purchase. This excludes reflectors, tubes and wear and tear or use for purposes other than those intended.

For further information on this or other products contact D-D The Aquarium Solution or see our web page at:

www.theaquariumsolution.com Telephone. +44 20 8501 2492 Fax. +44 20 8500 9102

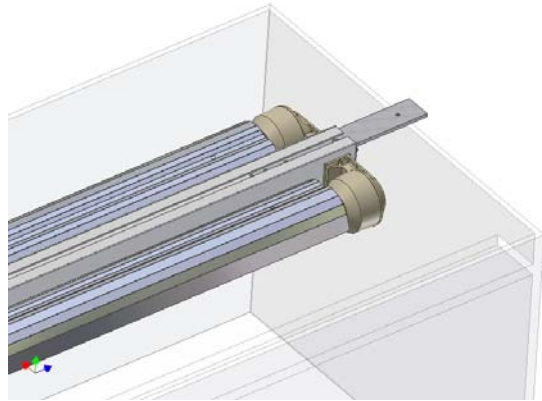
Razor Light - Installation Options



Fasten the light to your aquarium lid using the bar supplied as shown.



Support the light on your aquarium or stress bars.



Hang the unit from optional hanging wires

Connect two units using the bar supplied

