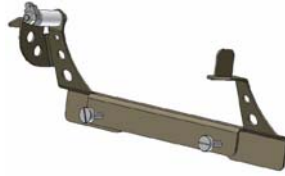


## Installation and Maintenance Instructions for REFLEXX lights with support brackets



Please read these instructions fully before proceeding with installation! Keep these instructions for further use.

### IMPORTANT!

#### Always comply with these instructions.

This product is designed for indoor use for the illumination of aquariums and vivariums only and will provide a long, safe service life provided that these instructions are followed. Failure to do so may result in serious personal injury or property damage. **If you are in any doubt about the installation or operation of this product, please consult a qualified and experienced electrician.**

### Physical Installation

Select a suitable position close to your electricity supply. The REFLEXX light is only suitable for indoor use and must only be placed on an aquarium or vivarium. The REFLEXX should be kept dry, ventilated and away from other heat sources. Make sure that all of the light from the REFLEXX is aimed directly at the water within the aquarium.

**Do not allow the light to spill out of the aquarium as viewing of the lamp directly could be harmful to the human eye if viewed for more than a few minutes.**

#### "Support Brackets"

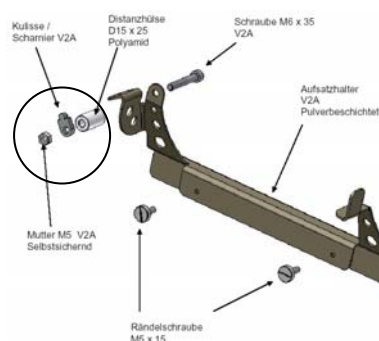
Before the REFLEXX light can be installed onto the aquarium the support brackets must be properly installed. Please note that the two brackets are left and right handed and will only fit correctly on to one side of the light.

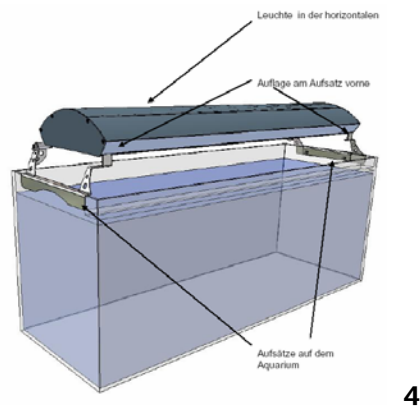
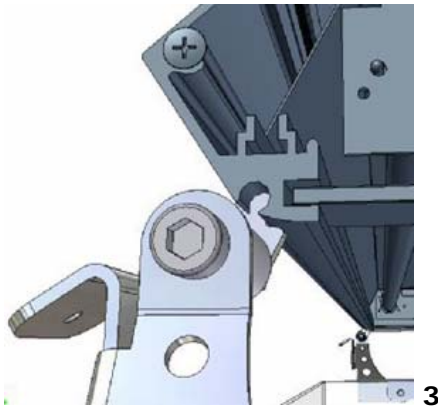
Place the REFLEXX onto its back and insert the lug of the hinge assembly, (shown circled in illustration 1 and in position on illustration 3), into the rail of the light. Tighten the hinge bolts on each bracket firmly but without undue force so that it is stable when the light is tipped back into its vertical position.

**The bolt and retained nut on the hinge section of each bracket must be adjusted at this point – so that there is no friction at all on the hinge mechanism against free movement. Failure to do so may cause damage to the aluminium profile.**

Turn over the REFLEXX light into its correct plane and with a person supporting each end line up the brackets with the edge of the aquarium by sliding the hinge lug along the rail to the correct position on the profile. Attach the unit to the aquarium with the 4 nylon screws supplied. Tighten hand tight.

**Warning: Before operation you must ensure that the REFLEXX is securely fixed to the aquarium by tightly screwing the 4 nylon screws as indicated in illustration 1.**





## Electrical Installation

**This appliance must be earthed and the circuit protected by a suitable fuse.**  
The unit is supplied with a plug that should be plugged into a compatible mains socket.

## Operation

- 1 The underside of the REFLEXX light can get warm. Allow adequate time for it to cool before attempting any maintenance.
- 2 Harmful UV output! Never operate the unit whilst it is tipped back in its upright position.

## Maintenance

**Caution! Disconnect the mains lead of your light before putting your hands in the water.**

The REFLEXX light is connected to its brackets at each end by a pivot point or hinge mechanism. As seen in the illustration this allows the unit to be tipped upright to make cleaning the unit and filling the aquarium far easier.

To tip the REFLEXX into its upright position first check that the unit is not hot. Whilst holding the unit at either end of the front edge, gently tip it backwards until it will tip no further and makes contact with the back support on the bracket. It will now remain in this position unsupported. When you have finished the maintenance gently lower the unit back onto its front supports on the bracket.

The hinges and the screws of the brackets must be lubricated from time to time with a non toxic product such as olive oil applied sparingly with the tips of the fingers.

**Cleaning:** Always clean your light when it is both disconnected from the power supply and when cool; this not only avoids smears but reduces the likelihood of any harm from moisture entering the unit.

Both the appearance and performance of your REFLEXX can benefit from regular cleaning. A damp cloth is normally adequate to clean the body. Excessive deposits of salt on the underside can reduce the light output; these can be removed with a wet cloth, ensuring that water does not enter the unit body. Only use the recommended lamp type for the purchased unit.